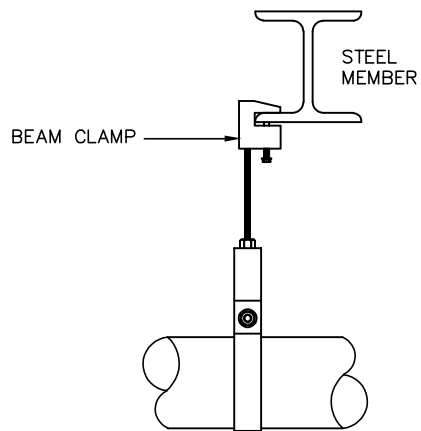


STANDARD CLEVIS HANGERS



NOTE:
 RESTRAINT IS REQUIRED ON ALL PIPE 5"
 AND LARGER AT ALL BRANCH
 TAKE-OFFS, AND CHANGES IN
 DIRECTION TO PROTECT AGAINST
 HORIZONTAL MOVEMENT AND JOINT
 SEPARATION

06/02/20

NOTICE: THE INFORMATION ON THIS PAGE PROVIDES GENERAL GUIDELINES. IT SHOULD BE USED ONLY AS A REFERENCE AND NOT AS A GARRANTEE OF PERFORMANCE. SPECIFIC INSTALLATION INSTRUCTIONS AND TECHNIQUES MAY BE REQUIRED AS A RESULT OF LOCAL PLUMBING AND BUILDING CODES, ENGINEERING SPECIFICATIONS AND INSTRUCTIONS.

CPF-21

STANDARD CLEVIS HANGER DETAIL

CHARLOTTE
 PIPE AND FOUNDRY COMPANY