

SUBMITTAL FOR CHARLOTTE® EZS 700D STARTER FITTING

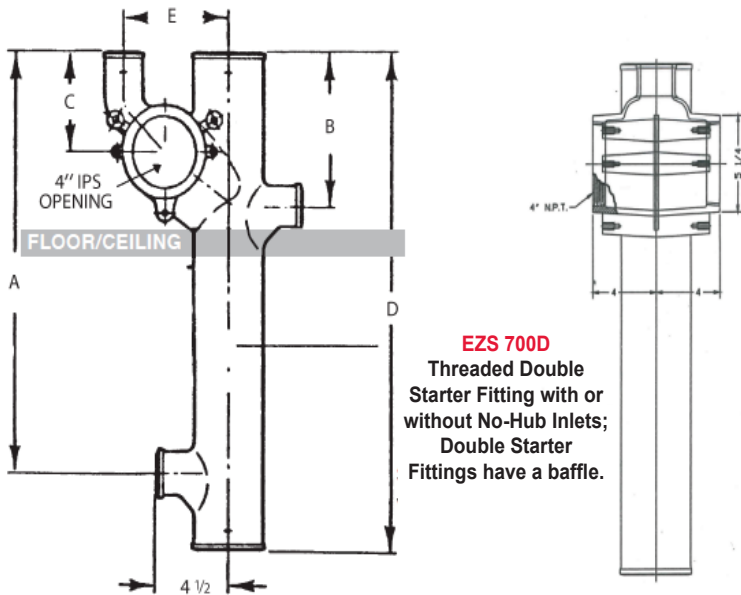
Date: _____

Job Name: _____

Location: _____

Engineer: _____

Contractor: _____



EZS 700D
Threaded Double Starter Fitting with or without No-Hub Inlets; Double Starter Fittings have a baffle.

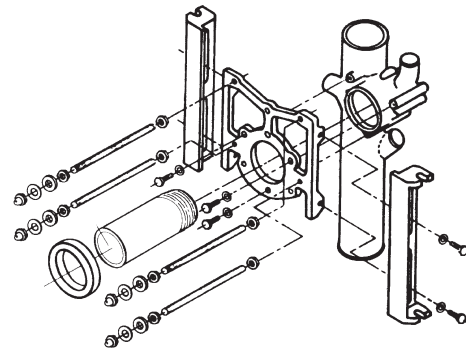
Part No.	Size	A	B	C	D	E	Weight
EZS 700D	4x28	0	0	5 1/2	28	6 1/2	42.0
EZS 700D	4x28	0	8 1/2	5 1/2	28	6 1/2	42.0
EZS 700D	4x28	23 1/2	8 1/2	5 1/2	28	6 1/2	42.0

ENGINEERING SPECIFICATION:
Part NO. EZS 700D Cast Iron Threaded Double Starter Fitting with or without 2" No-Hub Inlets. Designed for use above the floor with back-outlet, back-to-back water closets. Manufactured in accordance with CISPI 301.

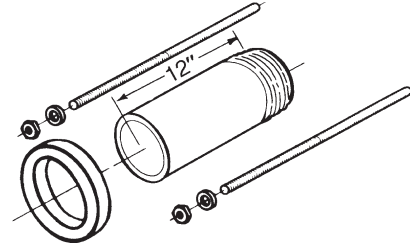
FOR WALL-HUNG, BACK-OUTLET APPLICATIONS: Contractor shall provide EZS 700D fitting with EZS 22 Support Frame and EZS 24 Trim Package. Installation shall be for applications not exceeding 500 lbs.

FOR FLOOR-MOUNTED, BACK-OUTLET APPLICATIONS: Contractor shall provide EZS 700D fitting with EZS 23 Trim Package.

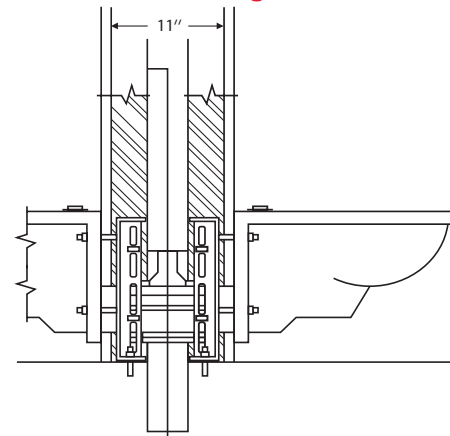
EZS 22 Support Frame and EZS 24 Trim Package for Wall-Hung, Back-Outlet Water Closet Installations Shown



EZS 23 Trim Package for Floor-Mounted, Back-Outlet Water Closet Installations Shown



Minimum Space Requirements for EZS 700 and EZS 800 Double Starter Fittings



For more information, call us at 1-800-438-6091 or log on to www.charlottepipe.com.

Charlotte is a registered trademark of Charlotte Pipe and Foundry Company.